

TYPE MA/MB

SEALLESS

COMPACT STAINLESS STEEL MAGNET DRIVE PUMPS

Motor output :

25W to 60W

- ▶ **Leak free, highly reliable** sealless magnet drive pump.
- ▶ Handle product **temperatures up to 130°C (266°F)**.
- ▶ **Very compact and minimum weight.**
- ▶ **316SS construction** for excellent corrosion resistance.
- ▶ **SiC-D low friction bearings withstand accidental dry-run on start up.**
- ▶ **Practically maintenance free** construction, requires minimum parts inventory.

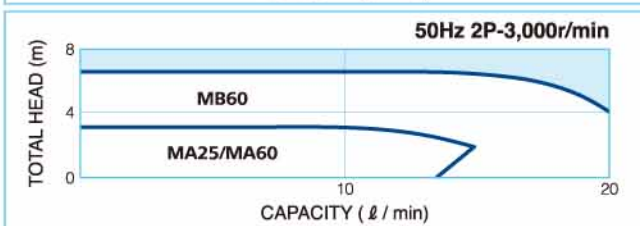
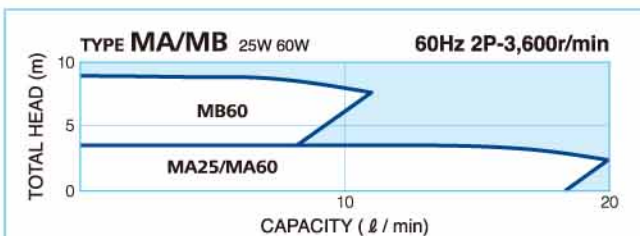


TYPE MA 25W/60W



TYPE MB 60W

Selection charts

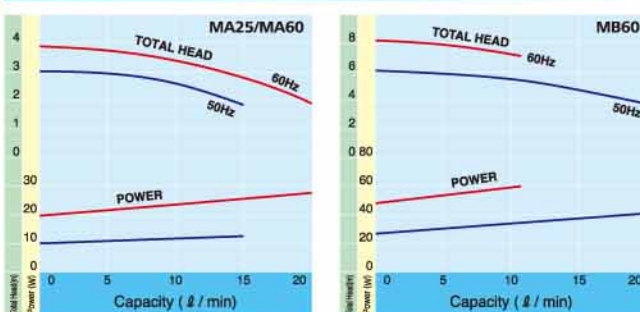


Specifications

	MA		MB	
Frequency	50Hz	60Hz	50Hz	60Hz
Max. total head	3m	3.5m	6m	8m
Max. capacity	15 l/min	20 l/min	20 l/min	10 l/min
Max. temperature applicable	130°C			
Min. temperature applicable	-20°C			
Max. liquid specific gravity	1.1 (MA25) , 2 (MA60)		1.1	
Max. liquid viscosity	50mPa-s(cP)			
Design pressure	0.6MPaG			
Bore (suction x discharge)	14x12mm		14x13mm	
Flange standard	R thread			
Type of impeller	Open		Closed	
Motor output rating	25W/60W		60W	
Pump material	SCS14(SUS316)			
Liquid-immersed bearings	SiC-D			

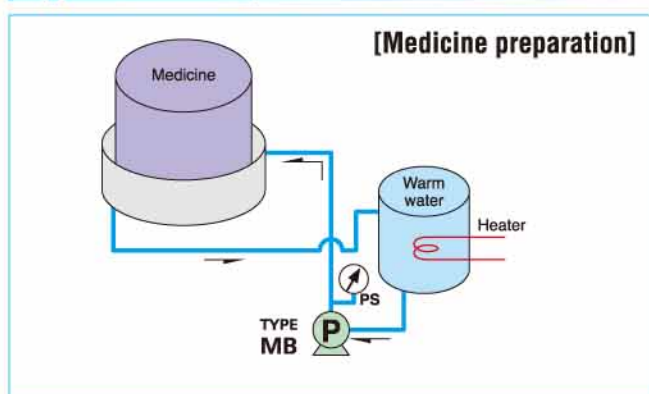
Performance curves

(60Hz 2P-3,600r/min, 50Hz 2P-3,000r/min)



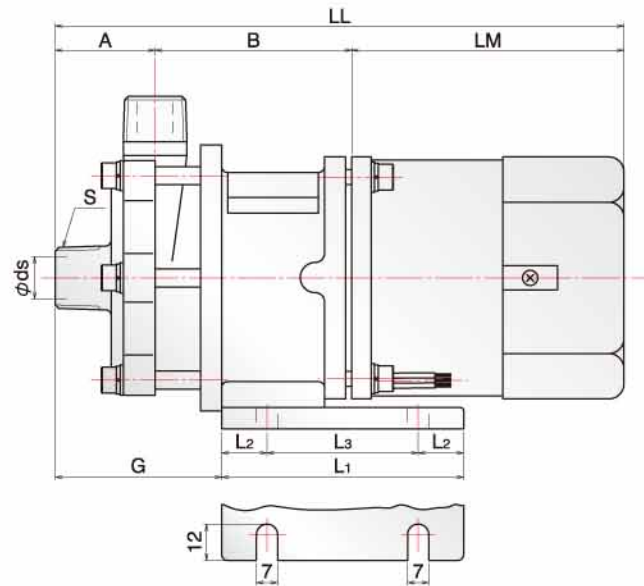
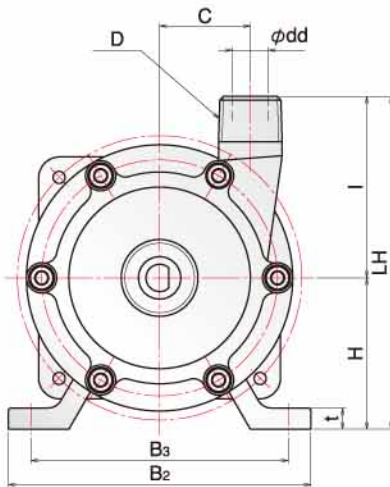
■ : Total Head(m) ■ : Power(W)

Application example





Outline dimension



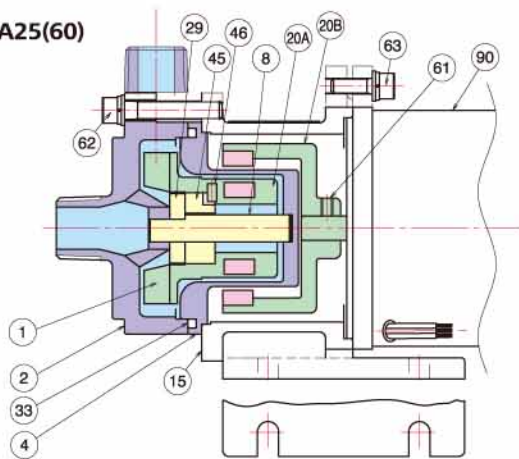
(In the unit of mm)

PUMP SIZE	MOTOR		BORE				PUMP & MOTOR						BASE PLATE					WEIGHT APPROX(kg)						
	FRAME SIZE	OUTPUT (W)	SUCT ds	DISCH S	φdd	D	A	B	C	H	I	LH	LM	LL	G	L1	L2	L3	B2	B3	t	PUMP	MOTOR	TOTAL
MA	-	25	14	R1/2	12	R1/2	33	65	30	50	60	110	90	188	55	80	15	50	100	85	7	2.2	1.3	3.5
	-	60	14	R1/2	12	R1/2	33	65	30	50	60	110	120	218	55	80	15	50	100	85	7	2.2	2.0	4.2
MB	-	60	14	R1/2	13	R1/2	45	64	0	50	70	120	120	229	66	80	15	50	100	85	7	2.4	2.0	4.4

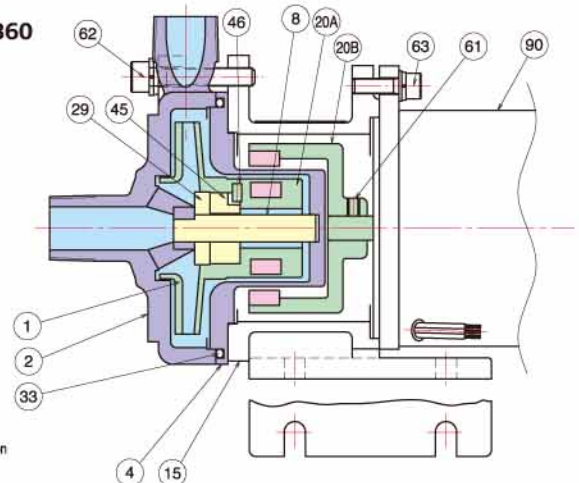
LM,LL dimensions and motor weight may vary depending on motor used.

Construction and materials

MA25(60)



MB60



■ Magnet
 ■ Pressure vessel
 ■ Rotating parts
 ■ Bearings
 ■ Liquid immersed portion

20B	MAGNET	RARE EARTH	1 ^S	90	MOTOR	-	1
	MAGNET COUPLING(M)	FCD	1	63	HEXAGON SOCKET HEAD CAP SCREW WITH WASHER	SUS304	4 ^S
20A	MAGNET	RARE EARTH	1 ^S	62	HEXAGON SOCKET HEAD CAP SCREW WITH WASHER	SUS304	6 ^S
	MAGNET COUPLING(P)	SUS316	1	61	SET SCREW	SCM435	1
15	FRAME ADAPTER	FC200	1	46	PIN	SUS316	1
8	SHAFT	SIC	1	45	BUSHING	SIC-D	1
4	REAR CASING	SUS316	1	33	O RING	PTFE	1
2	CASING	SCS14	1	29	THRUST RING	SIC	1
1	IMPELLER	SCS14	1				
MARK	NAME OF PART	MAT'L	No. REQ'D	MARK	NAME OF PART	MAT'L	No. REQ'D

Examples of usage

- Semiconductor and liquid crystal processing
- Freezer and cooling device
- Various physicochemical equipment
- Laboratory and testing equipment
- Pharmaceutical and food processing